

CEMENT CORPORATION OF INDIA LIMITED
TANDUR CEMENT FACTORY
P.O: CCI-TANDUR - 501 158, VIKARABAD Dist, (TELANGANA)
CIN No. U74899DLI965GOI004322

E-Mail: mm_tdo@ccilttd.in
Website: www.ccilttd.in

NIT No: TCF/MM/4014/24

Dated: 24.05.2024

NOTICE INVITING E-TENDER (NIT)
(Only through e-procurement)

Online electronic bids through Electronic Tendering System (ETS) are invited from Manufacturers & Dealers having adequate experience for: **SUPPLY OF HT MOTOR STATOR AND ROTOR TERMINAL BOX**

The complete set of tender documents is available on websites www.ccilttd.in, www.etenders.gov.in/eprocure/app.

E-TENDER No.	TCF/MM/4014/24
MODE OF TENDER	e-Procurement System (Online Techno-Commercial Bid and Price Bid) through www.etenders.gov.in/eprocure/app
Date of NIT available to parties to download	From 25.05.2024 (10.00 hrs.) Till 10.06.2024 (14.30 hrs.)
Last date of submission of EMD, valid SSI/NSIC/MSME certificate and other documents required as per tender Terms & Conditions under covering letter	10.06.2024 (15:00 hrs.)
Date of Starting of e-Tender for submission of on line Techno-Commercial Bid and Price Bid at www.etenders.gov.in/eprocure/app	From 25.05.2024 (10:00 hrs.) Till 10.06.2024 (15:00 hrs.)
Date & time of opening of Bids (i.e. Techno-Commercial Bid and Price Bid)	11.06.2024 at 15.30 hrs.
Validity of bids	120 days from the date of the Techno- commercial bid opening.

Offer is invited for the following on FIRM & FOR destination basis as per details given below:

SCHEDULE OF MATERIAL:

NIT No.	Name of the Item	Quantity
TCF/MM/4014/24	1. HT Motor Stator Terminal Box (HT Junction Box) for 6.6 KV, 350 Amps, 3 phase, 50 Hz with supporting Insulators, Supporting Plate, Gland Plate, Cover, Handle and Suitable for One outgoing Cable, One incoming Cable (240 Sq.mm to 400 Sq.mm) With all arrangement as per standards. Make: Any Standard Make	04 Nos
	2. HT Motor Rotor Terminal Box (HT Junction Box) for 6.6 KV, 1000 Amps, 3 phase, 50 Hz with bus bars, Bus bar Stiffeners, supporting Insulators, Supporting Plate, Gland Plate, Cover, Handle and Suitable for Four outgoing Cable, One incoming Cable (240 Sq.mm to 400 Sq.mm) With all arrangement as per standards. Make: Any Standard Make	04 Nos

- 01) Only those tenders will be considered who fulfill the terms & conditions mentioned in the tender documents.
- 02) The price- bid should be only as per CCI's Price-bid format otherwise the tender is liable for rejection.
- 03) The item wise L-1 Rate will be arrived considering item wise landed cost of the material after GST input credit etc.

-: oOo :-

IMPORTANT INSTRUCTIONS FOR E-PROCUREMENT

This is an e-procurement event of Cement Corporation of India. You are requested to read the Tender Terms & Conditions of this tender before submitting your online tender. Tenderers who do not comply with the conditions with documentary proof (wherever required) will not qualify in the Tender for opening of price bid.

01)	<p><u>Process of E-Tender:</u></p> <p><u>Registration:</u></p> <p>The process involves vendor's registration with www.etenders.gov.in/e procure/app. Only after registration, the vendor(s) can submit his/their bids electronically. Electronic Bidding for submission of Techno-Commercial Bid as well as Price Bid over the internet will be done. The Vendor should possess Class III signing type digital certificate. Vendors are to make their own arrangement for bidding from a P.C. connected with Internet.(Bids will not be recorded without Digital Signature).</p> <p>SPECIAL NOTE: THE PRICE BID AND THE TECHNO-COMMERCIAL BID HAS TO BE SUBMITTED ON-LINE AT www.etenders.gov.in/e procure/app</p> <p>Vendors are required to register themselves online with www.etenders.gov.in/e procure/app → "Online Bidder Enrollment" link. Filling up details and creating own user id and password → Submit.</p> <p>Vendors will receive a system generated mail confirming their registration in their email which has been provided during filling the registration form.</p> <p>Contact person (Cement Corporation of India):</p> <table border="1" data-bbox="252 1169 1455 1406"><thead><tr><th>Name</th><th>Email</th><th>Land Line</th><th>Mobile</th></tr></thead><tbody><tr><td>P Prabaharan, AGM(MM)</td><td>mm_tdo@ccilttd.in</td><td></td><td>07799938023</td></tr><tr><td>Ramanamurthy, MGR (ELECT.)</td><td>tandurcementfactory.electrical@gmail.com</td><td></td><td>07799938101</td></tr><tr><td>C. Amit Joseph, DM-MM</td><td>mm_tdo@ccilttd.in</td><td></td><td>07799938185</td></tr></tbody></table> <p>B) System Requirement:</p> <p>Windows 8,10 Professional Operating System, Internet Browser-9,10 &11. Signing type Class 3 digital signature Java JRE 6 and above</p> <p>THE VENDORS ARE ADVISED TO GO THROUGH THE 'CONTACT US' AT www.etenders.gov.in/e procure/app FOR GENERAL GUIDANCE ABOUT TENDER PROCESS</p>	Name	Email	Land Line	Mobile	P Prabaharan, AGM(MM)	mm_tdo@ccilttd.in		07799938023	Ramanamurthy, MGR (ELECT.)	tandurcementfactory.electrical@gmail.com		07799938101	C. Amit Joseph, DM-MM	mm_tdo@ccilttd.in		07799938185
Name	Email	Land Line	Mobile														
P Prabaharan, AGM(MM)	mm_tdo@ccilttd.in		07799938023														
Ramanamurthy, MGR (ELECT.)	tandurcementfactory.electrical@gmail.com		07799938101														
C. Amit Joseph, DM-MM	mm_tdo@ccilttd.in		07799938185														
02)	<p>Techno-Commercial bid will be opened electronically on specified date and time as given in the NIT. Bidder(s) can witness electronic opening of bid.</p> <p>Price bid will be opened electronically of only those bidder(s) who's Techno-Commercial Bid is found to be Techno-Commercially acceptable by CCI. Such bidder(s) will be intimated date of opening of Price bid, through valid email confirmed by them.</p> <p>NOTE:</p> <p>The Tenderers are advised to offer their lowest possible rates taking into account the prevailing market conditions. There would generally be no negotiations hence please submit your most competitive prices while submitting the price bid. However, if the rate is still considered high, action as per prevailing instruction/guideline shall be taken.</p>																

03)	All entries in the tender should be entered in online Technical & Commercial Formats without any ambiguity.
04)	In case of failure to access the payment towards cost of tender document & EMD for any reason, the vender, in term, will not have the access to on line e-tender and no correspondence in this respect will be entertained and CCI will not be responsible for any such lapses on this account. Bidder(s) are advised to make remittance of tender fee and EMD through Online well in advance and verify completion of transaction in respect of tender fee and EMD. Vendors are instructed to upload documents in document library. Multiple documents can be uploaded. Maximum size of single document for upload is 5 MB. Once documents are uploaded in the library, vendors can attach documents through Attach Document link against the particular tender. For further assistance please follow instructions of Vendor Help Manual
05)	All notices/corrigendum and correspondence to the bidder(s) shall be sent by email only during the process till finalization of tender by CCI. Hence the bidders are required to ensure that their corporate email I.D. provided is valid and updated at the stage of registration of vendor with CPP Portal (i.e. Service Provider). Bidders are also requested to ensure validity of their DSC (Digital Signature Certificate).
06)	The responsibility of downloading the related corrigenda, if any, will be that of the downloading parties.
07)	E-tender cannot be accessed after the due date and time mentioned in NIT.
08)	<p>Bidding in e-tender:</p> <p>a) Bidder(s) need to submit necessary EMD and Tender fees (If ANY) to be eligible to bid online in the e-tender. Tender fees are non-refundable. No interest will be paid on EMD. EMD of the unsuccessful bidder(s) will be refunded by CCI.</p> <p>b) The process involves Electronic Bidding for submission of Techno Commercial Bid as well as Price Bid is explained in Help Manual. 1) In all cases, bidder should use their own ID and Password along with Digital Signature at the time of submission of their bid. 2) During the entire e-tender process, the bidders will remain completely anonymous to one another and also to everybody else.</p> <p>c) The e-tender floor shall remain open from the pre-announced date & time and for as much duration as mentioned above.</p> <p>d) All electronic bids submitted during the e-tender process shall be legally binding on the bidder. Any bid will be considered as the valid bid offered by that bidder and acceptance of the same by the Buyer will form a binding contract between Buyer and the Bidder for execution of supply. Such successful tenderer shall be called hereafter SUPPLIE</p> <p>e) It is mandatory that all the bids are submitted with digital signature certificate otherwise the same will not be accepted by the system. Buyer reserves the right to cancel or reject or accept or withdraw or extend the tender in full or part as the case may be without assigning any reason thereof.</p> <p>f) No deviation of the terms and conditions of the tender document is acceptable. Submission of bid in the e-tender floor by any bidder confirms his acceptance of terms & conditions for the tender.</p> <p>g) Unit of Measure (UOM) is indicated in the e-tender Floor. Rate to be quoted should be in Indian Rupee as per UOM indicated in the e-tender floor/tender document.</p>

09)	Any order resulting from this open e-tender shall be governed by the terms and conditions mentioned therein.
10)	No deviation to the technical and commercial terms & conditions are allowed.
11)	After submitting online bid, the bidder cannot access the tender, once it has been submitted with digital signature
12)	CCI has the right to cancel this e-tender or extend the due date of receipt of bid(s) without assigning any reason thereof.
13)	The online tender should be submitted strictly as per the terms and conditions and procedures laid down in the website www.etenders.gov.in/eprocure/app
14)	The bidders must upload all the documents required as per terms of NIT. Any other document uploaded which is not required as per the terms of the NIT shall not be considered.
15)	The bid will be evaluated based on the filled-in technical & commercial formats.
16)	The documents uploaded by bidder(s) will be scrutinized. In case any of the information furnished by the bidder is found to be false during scrutiny, punitive action including suspension and banning of business can also be taken against defaulting bidders.
17)	Bidders are requested to read the vendor guide in the page www.etenders.gov.in/eprocure/app to familiarize themselves with the system before bidding.

For and on behalf of CCI Ltd,

HOD (MM)

/ANNEXURE-II/

F02 (PUR-P-02)

CEMENT CORPORATION OF INDIA LIMITED

(A Government of India Enterprise)

AN ISO 9001:2008 CERTIFIED COMPANY

TANDUR CEMENT FACTORY

PO: CCI-TANDUR - 501 158,

VIKARABAD Dist., (Telangana State)

Phone No.: 08411-247221

Fax No. : 08411-247243

GSTIN No.: 36AAACC0949B1Z5

CIN: U74899DL1965GOI004322

ECC No.: AAA CC 0949 BXM 006

mm_tdo@ccilttd.in, ccimm_tdo@rediffmail.com

Ref. No. TCF/MM/4005/24

Date: 25.05.2024

Dear Sir(s),


Please submit your most Competitive offer for the following items, as per terms and conditions mentioned in the enclosed Annexure.

NIT No.	Name of the Item	Quantity
TCF/MM/4014/24	1. HT Motor Stator Terminal Box (HT Junction Box) for 6.6 KV, 350 Amps, 3 phase, 50 Hz with supporting Insulators, Supporting Plate, Gland Plate, Cover, Handle and Suitable for One outgoing Cable, One incoming Cable (240 Sq.mm to 400 Sq.mm) With all arrangement as per standards. Make: Any Standard Make	04 Nos
	2. HT Motor Rotor Terminal Box (HT Junction Box) for 6.6 KV, 1000 Amps, 3 phase, 50 Hz with bus bars, Bus bar Stiffeners, supporting Insulators, Supporting Plate, Gland Plate, Cover, Handle and Suitable for Four outgoing Cable, One incoming Cable (240 Sq.mm to 400 Sq.mm) With all arrangement as per standards. Make: Any Standard Make	04 Nos

01) **GENERAL**

- a) **PRICES:** FOR destination up to CCI-Karankote on door delivery basis. Rate should be quoted including freight charges and any other charges.
 - b) **PACKING & FORWARDING:** To be included in the Unit rate
 - c) Item shall comply energy efficiency norms as per ISO 50001:2018
 - d) **DELIVERY:** 60 Days from the date of LOI/Order
 - e) Please furnish GST percentage, GSTIN & HSN Code of the material in the offer.
- 02) Confirm if price are as per DGS & D Rate.
- 03) Confirm prices are as applicable to Govt. Public – Sectors.
- 04) **PAYMENT:** 100% within 30 days.
- 05) Transit insurance to be arranged by the Consignor/Supplier
- 06) Prices shall be firm till the completion of supplies.
- 07) Please indicate your GST No, in the absence of this information your firm will be treated as a Un-registered firm and your prices will be loaded accordingly.
- ~~08) **EARNEST MONEY DEPOSIT:** If the value of the tender is more than Rs.5.00 Lac, EMD@ 2% by way of RTGS/NEFT only has to be furnished along with offer.~~
- ~~09) **SECURITY DEPOSIT:** In the event of placement of Purchase order, you have to furnish Security Deposit at the rate of 5% of the total order value in the form of Cash/DD or Bank Guarantee from any Nationalized Bank within 15 days from the date of orders. This is applicable for order having value more than ₹ 5.00 Lakh for Orders having value less than this amount, the clause is not applicable).~~
- 10) **DELAYED DELIVERY CLAUSE:** (a) If the value of order is \leq Rs. 10.0 lakhs or duration is \leq 3 months then L.D is to be recovered 0.5% per week or part thereof, subject to maximum limit of 10% of the total value of the order. (b) If the value of order is $>$ Rs. 10.0 lakhs or duration is $>$ 3 months L.D is to be recovered is 0.5% per fortnight or part thereof, subject to maximum limit of 5% of the total value of the order.
- 11) **RISK PURCHASE CLAUSE:** In the event of delay in supplies or failure to supply the material, we may resort to the procurement of material from elsewhere at your risk and cost.
- ARBITRATION:** All disputes in case value exceeds ₹50,000/- will be referred to Arbitration as per Indian Arbitration Act. Arbitrator has to be appointed by C&MD of CCI.
- 12) **JURISDICTION:** Vikarabad Dist, (Telangana State) Civil Courts.
Drawings, Sketches etc., if any send along with tender enquiry have to be returned with the offer.
- 13) Our Corporation reserves the right to cancel or accept or reject any offer or tender without giving any reason or justification.
- 14) Our Corporation reserves the right to split the order to more parties.
- 15) The bidders do not have any claim on the award of Work order/ Supply order.
- 16) CCI have the rights to place "**Repeat Order**" at the same rate, terms & conditions of original order with the consent of the supplier.
- 17) Individual offer should be given for each enquiry. Clubbing of offers against more than ONE enquiry is not allowed and such offers will be rejected.
- 18) **GUARANTEE AND WARRANTY:** The material offered against this tender has to be guaranteed for satisfactory working for a period of 18 months from the date of supply.
- 19) Relevant PO Copies executed in the last 3 years to be submitted.

Technical bid format

 Cement Corporation of India Limited			
(A Govt. of India Enterprise) Tandur Cement Factory, CCI Tandur, Vikarabad Dist, TS, PIN- 501158.			
NIT NO.: TCF/MM/4014/24			
Name of the item:- SUPPLY OF HT MOTOR STATOR AND ROTOR TERMINAL BOX			
Sl. No.	PARTICULARS	Please fill all this from I to VII	Remarks
I	Name of the Supplier		
II	Postal address		
III	Contact with STD code		
IV	Name of Contact person		
V	Mobile No.		
VI	e-mail ID		
	The following details duly filled in/documents signed digitally and stamped are up-loaded on-line through www.cci-tender.com with in the period of submission.	Please specify	Remarks
1	Price Basis FOR destination upto CCI Karankote on door delivery basis.		
2	GST Registration No. and details of Registration i.e. Composite (or) Regular.		
3	Guarantee/Warranty of the material offered (Preferably period of 18 months from the date of supply (or) 12 months from the date of installation, which ever is earlier)		
4	In case of firm registered with MSME, Certificate from MSME (NSIC Certificate) clearly specifying the date of registration alongwith starting of manufacturing process and whether it is registered under ST/SC. The firms registered with MSME will also have to submit a copy of Udyog Aadhar Memorandum		
5	Delivery period as per tender		
6	Payment terms (Payment will be made normally by 30 days from the date of receipt of material at site by E-Payment)		
7	Preference to Make in India (annexure -10) in letter head duly filled and signed		
8	Kindly confirm the make of items offered.		
9	Relevant PO copies to be submitted executed in the last 3 years.		
10	Validity of offer validity should be 120 days from the date of tender opening		
11	Others if any		

Note: Kindly fill and submit technical bid

1.0 Public Procurement (Preference to Make in India):

1.1 The Procurement of goods and services under this tender will be regulated as per the applicable provisions of Public Procurement (Preference to Make in India), order 2017 of MoC&I (DIPP), Government of India and revised orders issued on 16.09.2020. As per said orders Bidders/Contractors are divided into three categories based on Local Content. Local content in the context of this policy is the total value of the item procured (excluding net domestic indirect taxes) minus the value of imported content in the item (including all customs duties) as a proportion of the total value, in percent.:

- a) 'Class-I Local Supplier' with local content equal to or more than 50%.
- b) 'Class-II Local Supplier' with local content equal to or more than 20%, but less than that applicable for Class-I Local Supplier.
- c) 'Non - Local Supplier' with local content less than that applicable for Class-II local Supplier, in (b) above.

The 'Class-I Local Supplier'/ 'Class-II Local Supplier' at the time of bidding shall be required to indicate the percentage of local content and provide self-certification that the item offered meets the local content requirement for 'Class-I Local Supplier'/ 'Class-II Local Supplier', as the case maybe. Bids with false declarations regarding Local contents shall be rejected as unresponsive, in addition to punitive actions under the MII orders and for violating the Code of Integrity as per the Tender Document. Bidders have to submit self-declaration of their local content and their status as Class-I/ Class-II/ Non-local Supplier and their eligibility to participate in this tender. If a Bidder is claiming exemption (as obtained from relevant authorities) from meeting the stipulated local content on account of manufacturing the product in India under a license from a foreign manufacturer with the precise phasing of increase in local content, he must provide proof thereof.

1.2 Purchase preference as per Make in India will be exercised as follows:

(a) If the Goods are Not Divisible in nature:

Among all qualified bids, the lowest bid shall be termed as L-1. If L-1 is 'Class-I Local Supplier' (Under MII clause at 1.12.1), the contract shall be awarded to L-1.

If L-1 is not 'Class-I Local Supplier', the lowest bidder among the 'Class-I Local Supplier' shall be invited to match the L-1 price subject to Class-I Local Supplier's quoted price falling within the margin of purchase preference, and the contract shall be awarded to such 'Class-I Local Supplier' subject to matching the L-1 price.

If such lowest eligible 'Class-I local Supplier' fails to match the L-1 price, the 'Class-I local Supplier' with the next higher and so on, bid within the margin of purchase preference shall be invited to match the L-1 price, and the contract shall be awarded accordingly. If none of the 'Class-I local Supplier' within the margin of purchase preference matches the L-1 price, the contract shall be awarded to the L-1 bidder.

(b) If the Goods are Divisible in nature:

Among all qualified bids, the lowest bid shall be termed as L-1.

If L-1 is 'Class-I local Supplier', the contract for full quantity shall be awarded to L-1. If the L-1 bid is not a 'Class-I local Supplier', 50% of the order quantity shall be awarded to L1. After that, the lowest bidder among the 'Class-I local Supplier' whose quoted price falls within the margin of purchase preference shall be invited to match the L-1 price for the remaining 50% quantity, and a contract for that quantity shall be awarded to him, subject to matching the L-1 price. In case such lowest eligible 'Class-I local Supplier' fails to match the L-1 price or accepts less than the offered quantity, the next higher 'Class-I local Supplier' within the margin of purchase preference shall be invited to match the L-1 price for the remaining quantity and so on, and the contract shall be awarded accordingly. If some quantity is still left uncovered on Class-I local Suppliers, such balance quantity shall also be ordered on the L-1 bidder.

(c) Where contract is to be awarded to multiple bidders:

In Bids where contracts are to be awarded to multiple bidders subject to matching of L-1 rates or otherwise, the 'Class-I Local Supplier' shall get purchase preference over 'Class-II Local Supplier' as well as 'Non-Local Supplier', as per following procedure:

If there is sufficient local capacity and competition for the item to be procured, as notified by the nodal Ministry, only Class I Local Suppliers shall be eligible to bid. As such, the multiple Contractors, who would be awarded the contract, should be all and only 'Class I Local Suppliers'.

In Bids, other than the sufficient local capacity and competition for the item to be procured, 'Class II local Suppliers' or both 'Class II local Suppliers' and 'Nonlocal Suppliers' may also participate in the tender process along with 'Class I Local Suppliers'.

If 'Class I Local Suppliers' qualify for the contract award for at least 50% of the tendered quantity in tender, the contract shall be awarded to all the qualified bidders as per award criteria stipulated in the Tender Documents. However, in case 'Class I Local Suppliers' do not qualify for the award of contract for at least 50% of the tendered quantity as per award criteria, purchase preference should be given to the 'Class I local Supplier' over 'Class II Local Suppliers' / 'Non-local Suppliers' provided that their quoted rate falls within the margin of purchase preference of the highest bid considered for award of contract. To ensure that the 'Class I Local Suppliers' taken in totality are considered for award of contract for at least 50% of the tendered quantity.

First purchase preference has to be given to the lowest among such eligible 'Class-I local Suppliers', subject to its meeting the prescribed criteria for the award of contract as also the constraint of the maximum quantity that can be sourced from any single Contractor. If the lowest among such 'Class-I local Suppliers' does not qualify for purchase preference because of aforesaid constraints or does not accept the offered quantity, an opportunity shall be given to next higher among such 'Class-I local Supplier', and so on.

To avoid any ambiguity during bid evaluation process, the procuring entity may stipulate its own tender specific criteria for award of contract amongst different bidders including the procedure for purchase preference to 'Class-I Local supplier' within the broad policy guidelines.

**CEMENT CORPORATION OF INDIA LIMITED
TANDUR CEMENT FACTORY**

TCF/MM/4014/24

PRICE BID FORMAT

/ANNEXURE-III/

Name of the Bidder/ Bidding Firm/ Company :														
---------------------------------------------------	--	--	--	--	--	--	--	--	--	--	--	--	--	--

PRICE SCHEDULE
The item wise L-1 Rate will be arrived considering item wise landed cost of the material after GST input credit etc.

NUMBER #	TEXT #	NUMBER #	TEXT #	NUMBER #	NUMBER #	NUMBER #	NUMBER #	NUMBER #	NUMBER #	NUMBER #	NUMBER #	NUMBER #	NUMBER #	TEXT #
Sl. No.	Item Description	Quantity	Units	BASIC RATE Including freight charges	GST %	HSN code of item	TOTAL AMOUNT Without Taxes	TOTAL AMOUNT With Taxes	TOTAL AMOUNT in Words					
1	2	4	5	7	8	9	13	14	15					
SUPPLY OF HT MOTOR STATOR AND ROTOR TERMINAL BOX														
1.01	HT Motor Stator Terminal Box (HT Junction Box) for 6.6 KV, 350 Amps, 3 phase, 50 Hz with supporting Insulators, Supporting Plate, Gland Plate, Cover, Handle and Suitable for One outgoing Cable, One incoming Cable (240 Sq.mm to 400 Sq.mm) With all arrangement as per standards. Make: Any Standard Make	4.00	Nos				0.00	0.00	INR Zero Only					
1.02	HT Motor Rotor Terminal Box (HT Junction Box) for 6.6 KV, 1000 Amps, 3 phase, 50 Hz with bus bars, Bus bar Stiffeners, supporting Insulators, Supporting Plate, Gland Plate, Cover, Handle and Suitable for Four outgoing Cable, One incoming Cable (240 Sq.mm to 400 Sq.mm) With all arrangement as per standards. Make: Any Standard Make	4.00	Nos				0.00	0.00	INR Zero Only					
Total in Figures							0.00	0.00	INR Zero Only					
Quoted Rate in Words							INR Zero Only							

PLACE: _____ SIGNATURE OF THE TENDERER

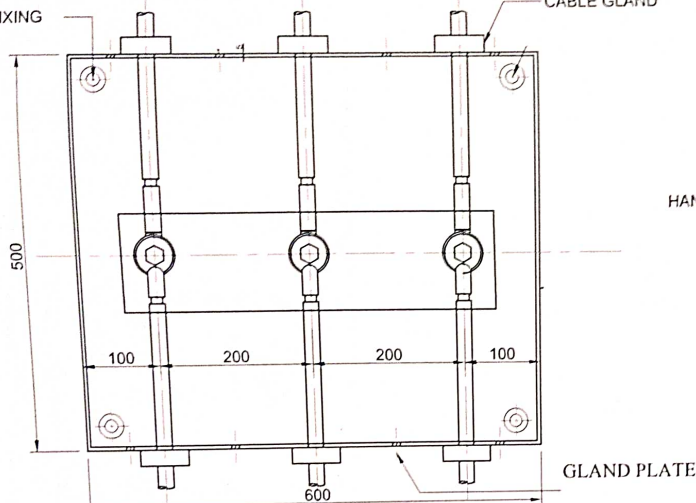
DATE: _____

Series Serial rate Date Signature Comments

4 HOLE FOR JUCTION BOX FIXING

CABLE GLAND

CUSTOMER CABLE



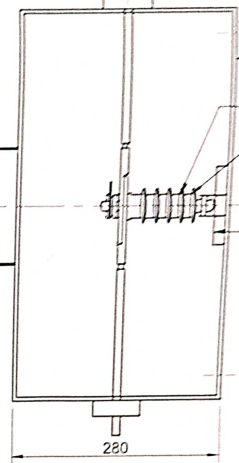
HANDLE

INSULATOR

04

05

SUPPORT PLATE



GLAND PLATE

STATOR JUNCTION BOX

S.NO.	QTY.	ITEM NAME
01	01	COVER
02	01	SUPPORT PLATE
03	01	HANDLE
04	03	INSULATOR
05	01	TERMINAL BOX
06	02	GLAND PLATE
07	06	GLAND

FILE NAME HAIN TERMINAL BOX	PSEUM NO	SHEET 00	SCALE NTS
SIZE		NO QUANTITY SHOWN	
DRAWN 9/15/2020		STATOR JUNCTION BOX	
CHECK		DWG NO	KDM 3124
APPR.			
ISSUED			
REV			
CONTRACT NO			